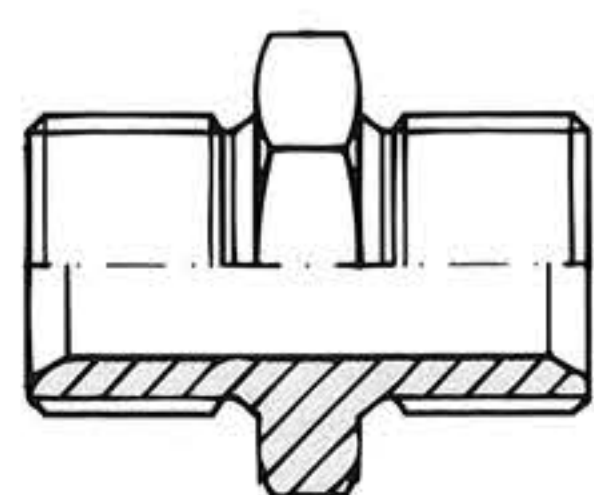
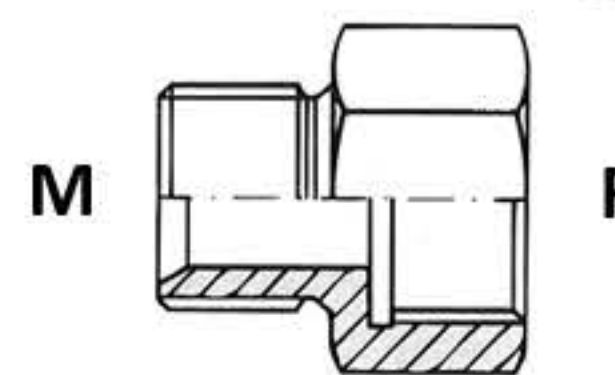


01010L NIPPLO CILINDRICO SVASATO 60°

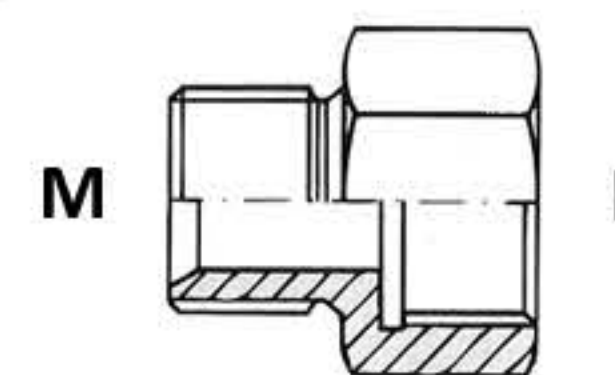


FILETTO
1/8
1/4
3/8
1/2
3/4
1"

01040L PROLUNGA CORTA E PROLUNGA RIDOTTA SVASATA 60°

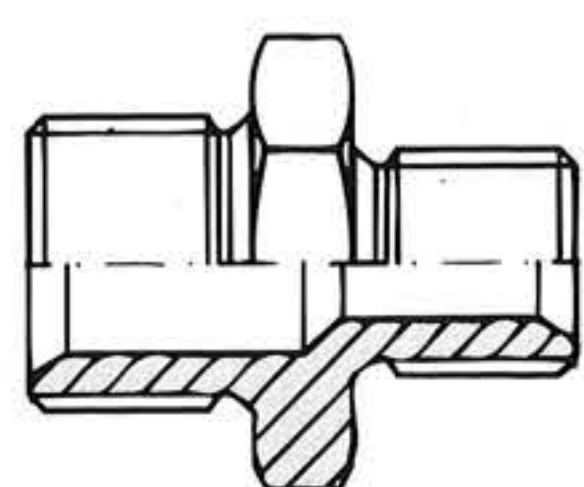


M	FILETTO	F
1/8	-	1/8
1/4	-	1/4
1/8	-	3/8
3/8	-	3/8
1/2	-	1/2
3/4	-	3/4
1"	-	1"



M	FILETTO	F
1/4	-	3/8
1/4	-	1/2
3/8	-	1/2
1/2	-	3/4
3/4	-	1"

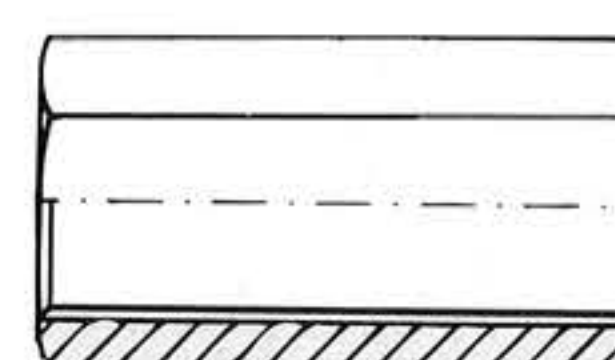
01020L NIPPLO RIDOTTO CILINDRICO SVASATO 60°



FILETTO
1/8 - 1/4
1/8 - 3/8
1/8 - 1/2
1/4 - 3/8
1/4 - 1/2
3/8 - 1/2
1/2 - 3/4
3/4 - 1"

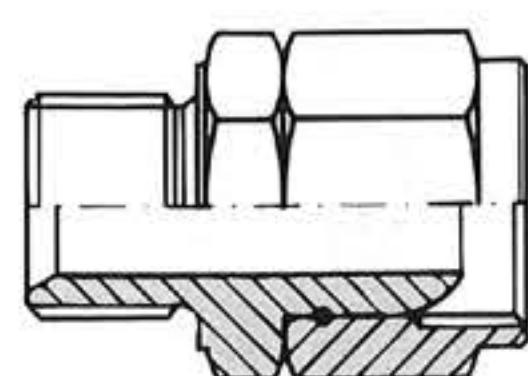
01050L

PROLUNGA F - F



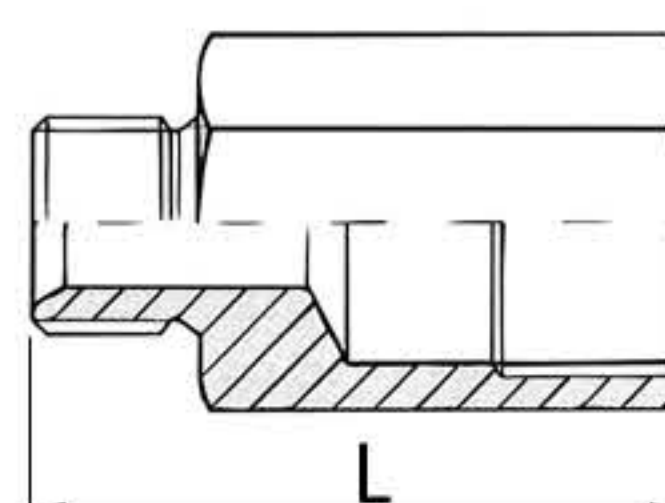
FILETTO
1/8
1/4
3/8
1/2
3/4
1"

01010L-MF NIPPLO GIREVOLE M-F



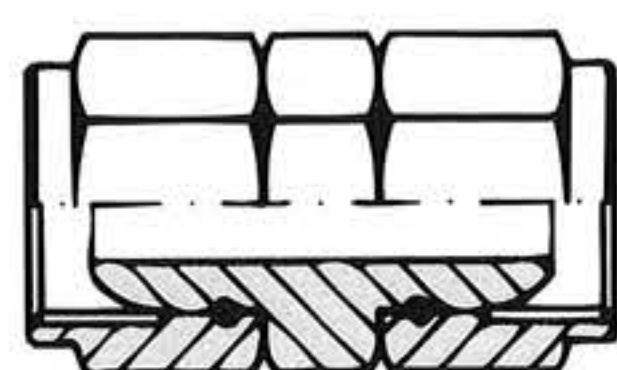
FILETTO
1/8
1/4
3/8
1/2
3/4
1"

01070L PROLUNGA CILINDRICA SVASATA 60°



FILETTO	L
1/4 - 1/4 - 46	
3/8 - 3/8 - 52	
1/2 - 1/2 - 60	
3/4 - 3/4 - 65	
1" - 1" - 89	

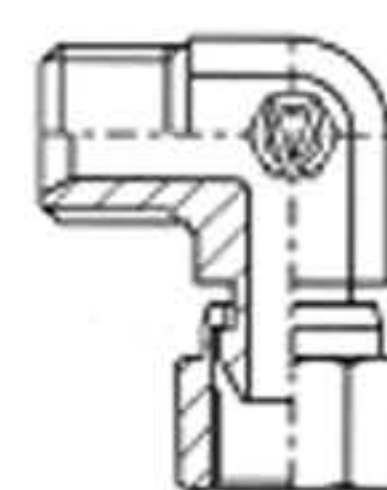
01010L-FF NIPPLO GIREVOLE F-F



FILETTO
1/8
1/4
3/8
1/2
3/4
1"

01110L

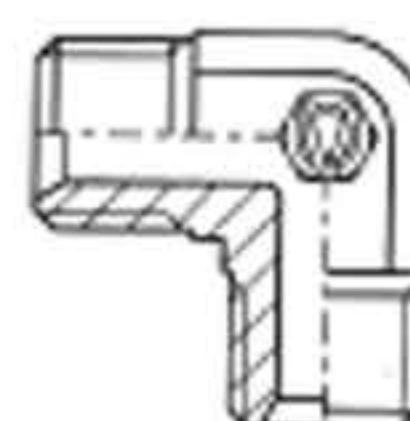
RACCORDO 90° M - F SVASATO 60°



FILETTO
1/4
3/8
1/2
3/4
1"

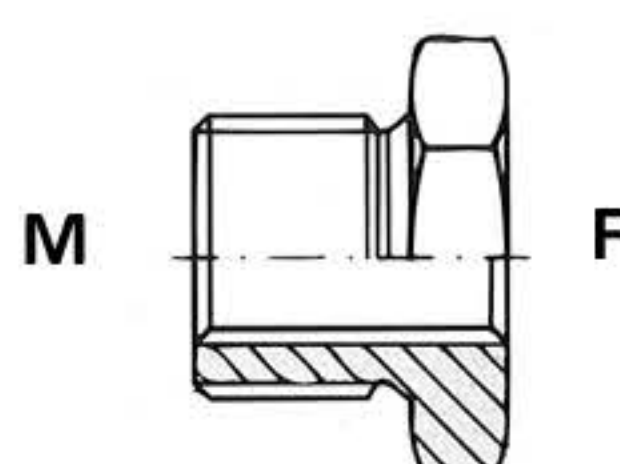
01120L

RACCORDO 90° M - M SVASATO 60°



FILETTO
1/4
3/8
1/2
3/4
1"

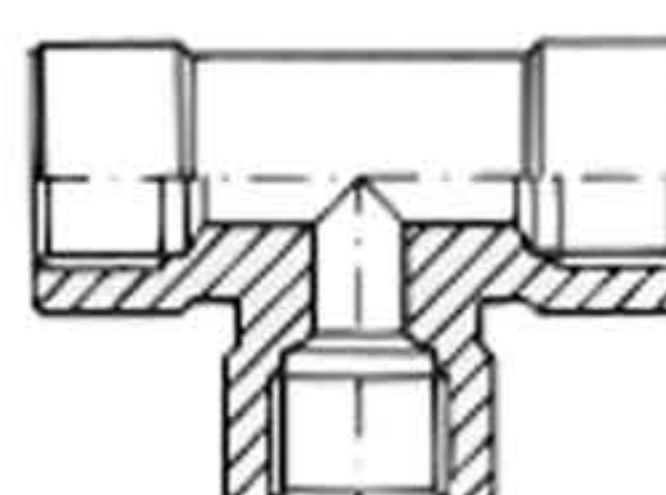
01030L TAPPO DI RIDUZIONE



M	FILETTO	F
1/4	-	1/8
3/8	-	1/8
3/8	-	1/4
1/2	-	1/4
1/2	-	3/8
3/4	-	1/4
3/4	-	3/8
3/4	-	1/2
1"	-	1/2
1"	-	3/4

01130L

RACCORDO A T FEMMINA



FILETTO
1/4
3/8
1/2
3/4
1"